



SINK
COLLECTION

BARBOSA
CABINETS, INC

BARCAB.COM

TABLE OF CONTENTS



Kitchen - Single Bowl - Non ADA	3
Kitchen - Double Bowl - Non ADA	8
Kitchen - Single Bowl - ADA compliant.....	11
Kitchen - Double Bowl - ADA compliant.....	16
Vanity Sinks - Standard/ADA compliant.....	18
Utility and Laundry Sinks	22



SINGLE BOWL KITCHEN SINKS

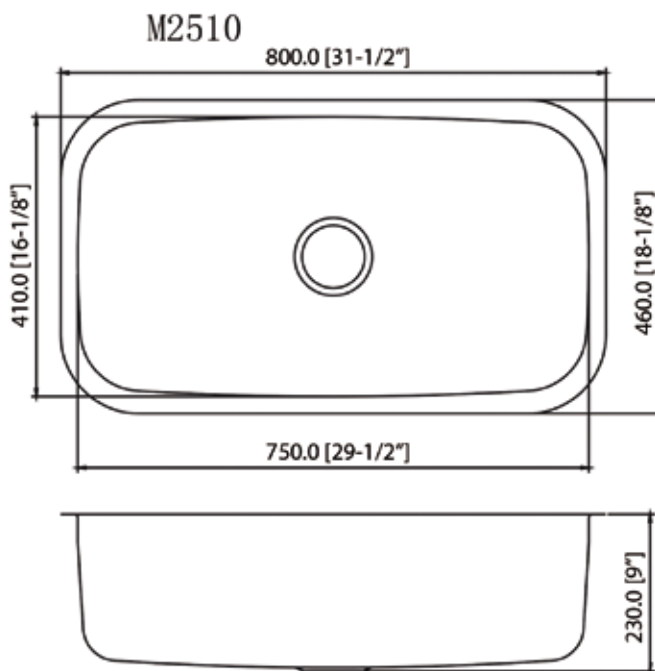
M2510 Kitchen Undermount Sink



FEATURES

- Premium 304 series stainless steel construction
- Undercoating and sound deadening pads to absorb noise and maintain water temperature
- 18/8 chrome-nickel content
- Rounded corners
- Optional grid and strainer accessories available

Model #	Material	Finish	Mount Options	Overflow	Drain Size	ADA Compliant	Gauge
M2510	Stainless Steel	Brushed	Under-mount	No	3-1/2"	No	18G



BARCAB.COM

2020 East Grant Line Road | Tracy, CA 95304

(209) 836-2501 office
(209) 836-0847 fax
info@barcab.com

Barbosa Cabinets Inc. endeavors to provide you with accurate information and descriptions of our products. Due to variations in individual user's monitor settings, calibrations, and lighting sources, we cannot guarantee that your sink will be an exact match to the colors represented on this website or product data sheet. Barbosa Cabinets Inc. manufactures & installs our products with the highest quality of workmanship and materials. Barbosa Cabinets Inc. warrants its products to be free of all manufacturing defects upon receipt.

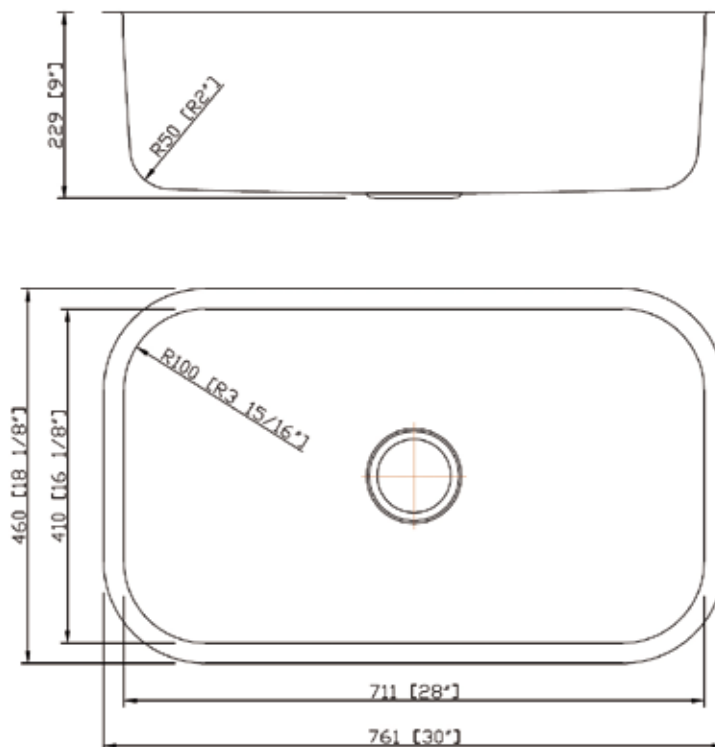
M2505 Undermount Single Bowl



FEATURES

- Premium 304 series stainless steel construction
- Undercoating and sound deadening pads to absorb noise and maintain water temperature
- 18/8 chrome-nickel content
- Rounded corners
- Optional grid and strainer accessories available

Model #	Material	Finish	Mount Options	Overflow	Drain Size	ADA Compliant	Gauge
M2505	Stainless Steel	Brushed	Under-mount	No	3-1/2"	No	18G



BARCAB.COM

2020 East Grant Line Road | Tracy, CA 95304

(209) 836-2501 office

(209) 836-0847 fax

info@barcab.com

Barbosa Cabinets Inc. endeavors to provide you with accurate information and descriptions of our products. Due to variations in individual user's monitor settings, calibrations, and lighting sources, we cannot guarantee that your sink will be an exact match to the colors represented on this website or product data sheet. Barbosa Cabinets Inc. manufactures & installs our products with the highest quality of workmanship and materials. Barbosa Cabinets Inc. warrants its products to be free of all manufacturing defects upon receipt.

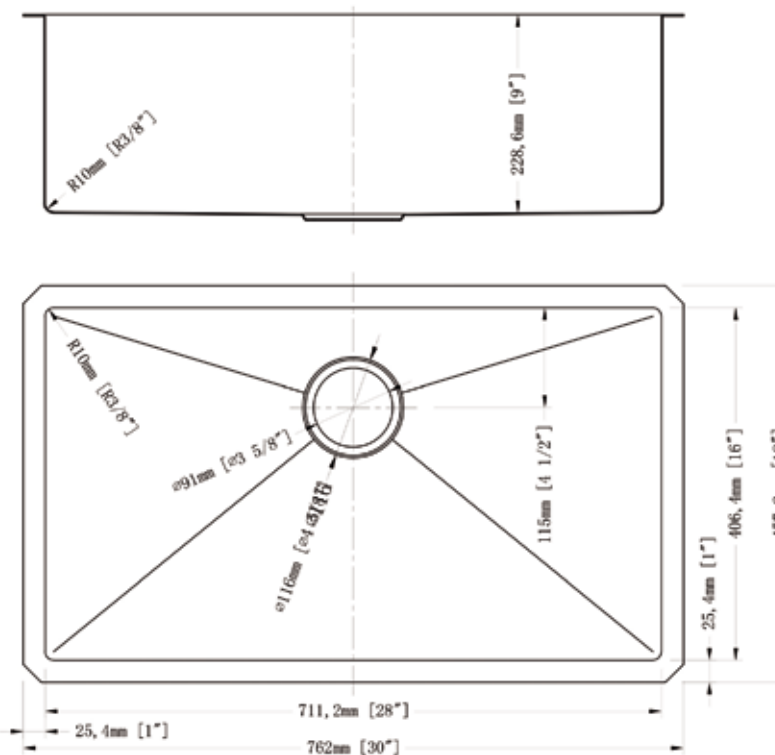
H4501S Undermount Kitchen Sink



FEATURES

- Premium 304 series stainless steel construction
- Undercoating and sound deadening pads to absorb noise and maintain water temperature
- 18/8 chrome-nickel content
- 10 Degree radius corners
- Optional grid and strainer accessories available

Model #	Material	Finish	Mount Options	Overflow	Drain Size	ADA Compliant	Guage
H4501S	Stainless Steel	Brushed	Under-mount	No	3-1/2"	No	18G



BARCAB.COM

2020 East Grant Line Road | Tracy, CA 95304

(209) 836-2501 office

(209) 836-0847 fax

info@barcab.com

Barbosa Cabinets Inc. endeavors to provide you with accurate information and descriptions of our products. Due to variations in individual user's monitor settings, calibrations, and lighting sources, we cannot guarantee that your sink will be an exact match to the colors represented on this website or product data sheet. Barbosa Cabinets Inc. manufactures & installs our products with the highest quality of workmanship and materials. Barbosa Cabinets Inc. warrants its products to be free of all manufacturing defects upon receipt.

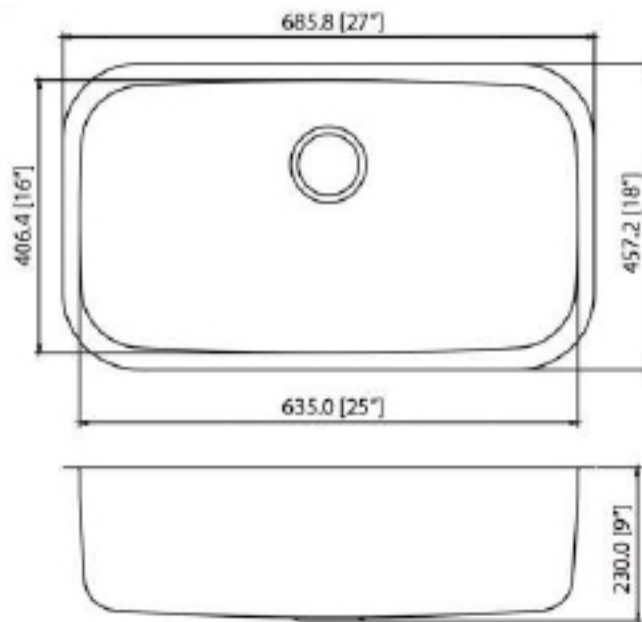
M2700 Kitchen Undermount Sink



FEATURES

- Premium 304 series stainless steel construction
- Undercoating and sound deadening pads to absorb noise and maintain water temperature
- 18/8 chrome-nickel content
- Rounded corners
- Optional grid and strainer accessories available

Model #	Material	Finish	Mount Options	Overflow	Drain Size	ADA Compliant	Guage
M2700	Stainless Steel	Brushed	Under-mount	No	3-1/2"	No	18G



BARCAB.COM

2020 East Grant Line Road | Tracy, CA 95304

(209) 836-2501 office

(209) 836-0847 fax

info@barcab.com

Barbosa Cabinets Inc. endeavors to provide you with accurate information and descriptions of our products. Due to variations in individual user's monitor settings, calibrations, and lighting sources, we cannot guarantee that your sink will be an exact match to the colors represented on this website or product data sheet. Barbosa Cabinets Inc. manufactures & installs our products with the highest quality of workmanship and materials. Barbosa Cabinets Inc. warrants its products to be free of all manufacturing defects upon receipt.



DOUBLE BOWL KITCHEN SINKS

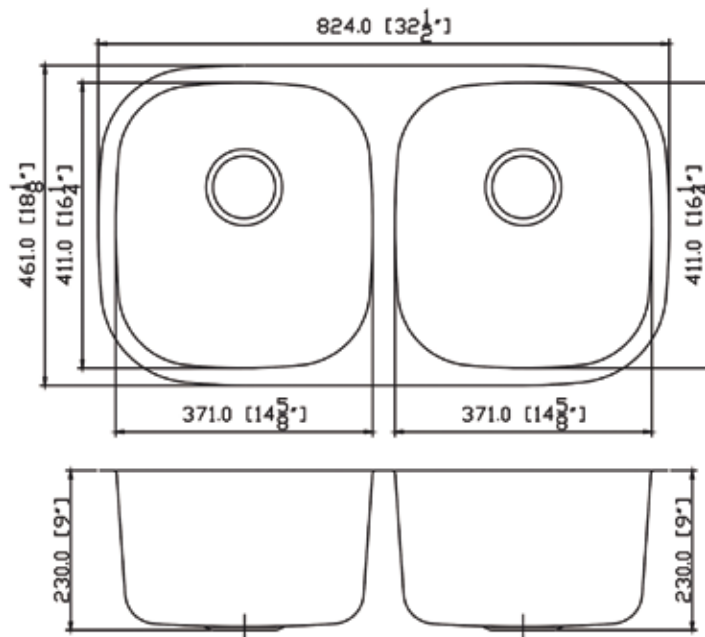
2201 Kitchen Undermount Sink



FEATURES

- Premium 304 series stainless steel construction
- Undercoating and sound deadening pads to absorb noise and maintain water temperature
- 18/8 chrome-nickel content
- Rounded corners
- Optional grid and strainer accessories available

Model #	Material	Finish	Mount Options	Overflow	Drain Size	ADA Compliant	Gauge
M2201	Stainless Steel	Brushed	Under-mount	No	3-1/2"	No	18G



BARCAB.COM

2020 East Grant Line Road | Tracy, CA 95304

(209) 836-2501 office
 (209) 836-0847 fax
info@barcab.com

Barbosa Cabinets Inc. endeavors to provide you with accurate information and descriptions of our products. Due to variations in individual user's monitor settings, calibrations, and lighting sources, we cannot guarantee that your sink will be an exact match to the colors represented on this website or product data sheet. Barbosa Cabinets Inc. manufactures & installs our products with the highest quality of workmanship and materials. Barbosa Cabinets Inc. warrants its products to be free of all manufacturing defects upon receipt.

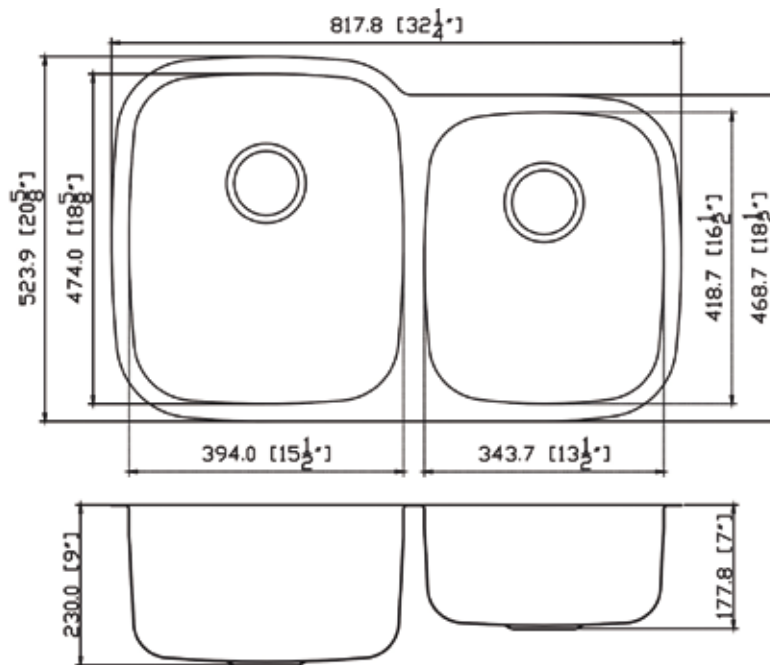
2301L Kitchen Undermount Sink



FEATURES

- Premium 304 series stainless steel construction
- Undercoating and sound deadening pads to absorb noise and maintain water temperature
- 18/8 chrome-nickel content
- Rounded corners
- Optional grid and strainer accessories available

Model #	Material	Finish	Mount Options	Overflow	Drain Size	ADA Compliant	Gauge
M2301L	Stainless Steel	Brushed	Under-mount	No	3-1/2"	No	18G



BARCAB.COM

2020 East Grant Line Road | Tracy, CA 95304

(209) 836-2501 office

(209) 836-0847 fax

info@barcab.com

Barbosa Cabinets Inc. endeavors to provide you with accurate information and descriptions of our products. Due to variations in individual user's monitor settings, calibrations, and lighting sources, we cannot guarantee that your sink will be an exact match to the colors represented on this website or product data sheet. Barbosa Cabinets Inc. manufactures & installs our products with the highest quality of workmanship and materials. Barbosa Cabinets Inc. warrants its products to be free of all manufacturing defects upon receipt.



SINGLE BOWL ADA KITCHEN SINKS

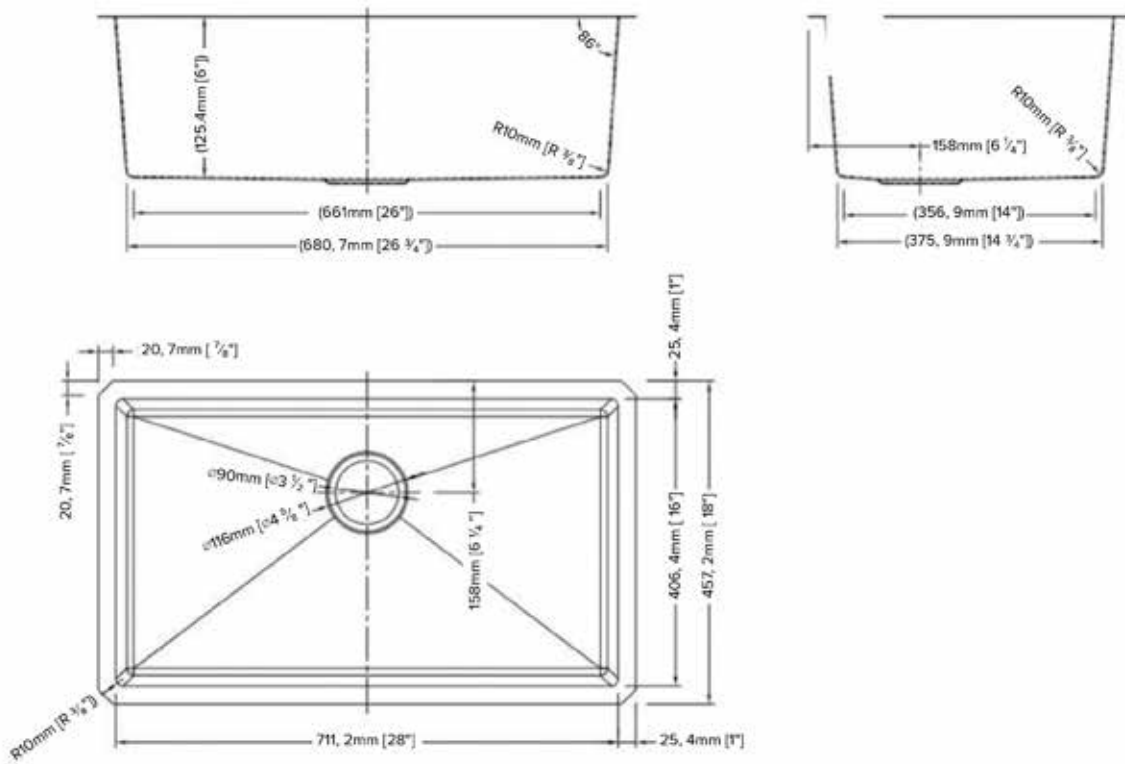
H4501 Nested ADA Kitchen Sink



FEATURES

- Premium 304 series stainless steel construction
- Undercoating and sound deadening pads to absorb noise and maintain water temperature
- 18/8 chrome-nickel content
- 10 Degree radius corners
- Optional grid and strainer accessories available

Model #	Material	Finish	Mount Options	Overflow	Drain Size	ADA Compliant	Guage
H4501S	Stainless Steel	Brushed	Under-mount	No	3-1/2"	Yes	18G



BARCAB.COM

2020 East Grant Line Road | Tracy, CA 95304

(209) 836-2501 office
(209) 836-0847 fax
info@barcab.com

Barbosa Cabinets Inc. endeavors to provide you with accurate information and descriptions of our products. Due to variations in individual user's monitor settings, calibrations, and lighting sources, we cannot guarantee that your sink will be an exact match to the colors represented on this website or product data sheet. Barbosa Cabinets Inc. manufactures & installs our products with the highest quality of workmanship and materials. Barbosa Cabinets Inc. warrants its products to be free of all manufacturing defects upon receipt.

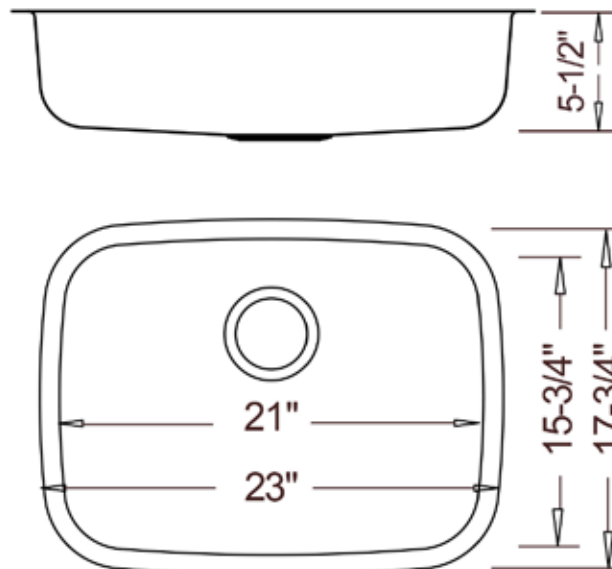
ADA-VS2318 Kitchen Sink



FEATURES

- Certified 304 grade 18 gauge surgical stainless steel
- Undercounter design
- ADA compliant when installed according to ADA mounting guidelines
- Single compartment
- Rounded bowl
- Unique sound-deadening system with sound pads and a special coating
- Lustrous enduring finish compliments any decor

Model #	Material	Mount Options	Overflow	Drain Size	ADA Compliant	Gauge
ADA-VS2318	Stainless Steel	Under-mount	No	3-5/8"	Yes	18G



BARCAB.COM

2020 East Grant Line Road | Tracy, CA 95304

(209) 836-2501 office

(209) 836-0847 fax

info@barcab.com

Barbosa Cabinets Inc. endeavors to provide you with accurate information and descriptions of our products. Due to variations in individual user's monitor settings, calibrations, and lighting sources, we cannot guarantee that your sink will be an exact match to the colors represented on this website or product data sheet. Barbosa Cabinets Inc. manufactures & installs our products with the highest quality of workmanship and materials. Barbosa Cabinets Inc. warrants its products to be free of all manufacturing defects upon receipt.

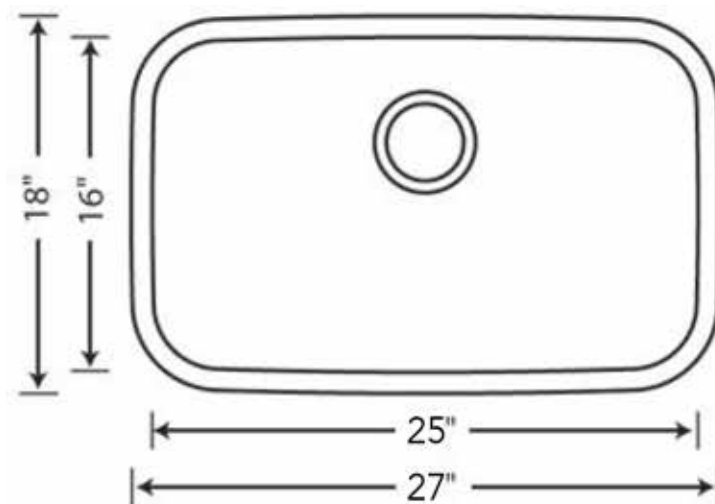
M2700 ADA Kitchen Sink



FEATURES

- German engineered with premium 304-series, 18-gauge stainless steel
- Large bowl size is ideal for busy families
- 18/10 chrome-nickel content for exceptional lustre, durability and strength
- Rear-positioned drain holes maximize storage space under the cabinet
- Undermount installation

Model #	Material	Finish	Mount Options	Overflow	Drain Size	ADA Compliant	Gauge
441024	Stainless Steel	Satin	Under-mount	No	3-1/2"	Yes	18G



BARCAB.COM

2020 East Grant Line Road | Tracy, CA 95304

(209) 836-2501 office
(209) 836-0847 fax
info@barcab.com

Barbosa Cabinets Inc. endeavors to provide you with accurate information and descriptions of our products. Due to variations in individual user's monitor settings, calibrations, and lighting sources, we cannot guarantee that your sink will be an exact match to the colors represented on this website or product data sheet. Barbosa Cabinets Inc. manufactures & installs our products with the highest quality of workmanship and materials. Barbosa Cabinets Inc. warrants its products to be free of all manufacturing defects upon receipt.

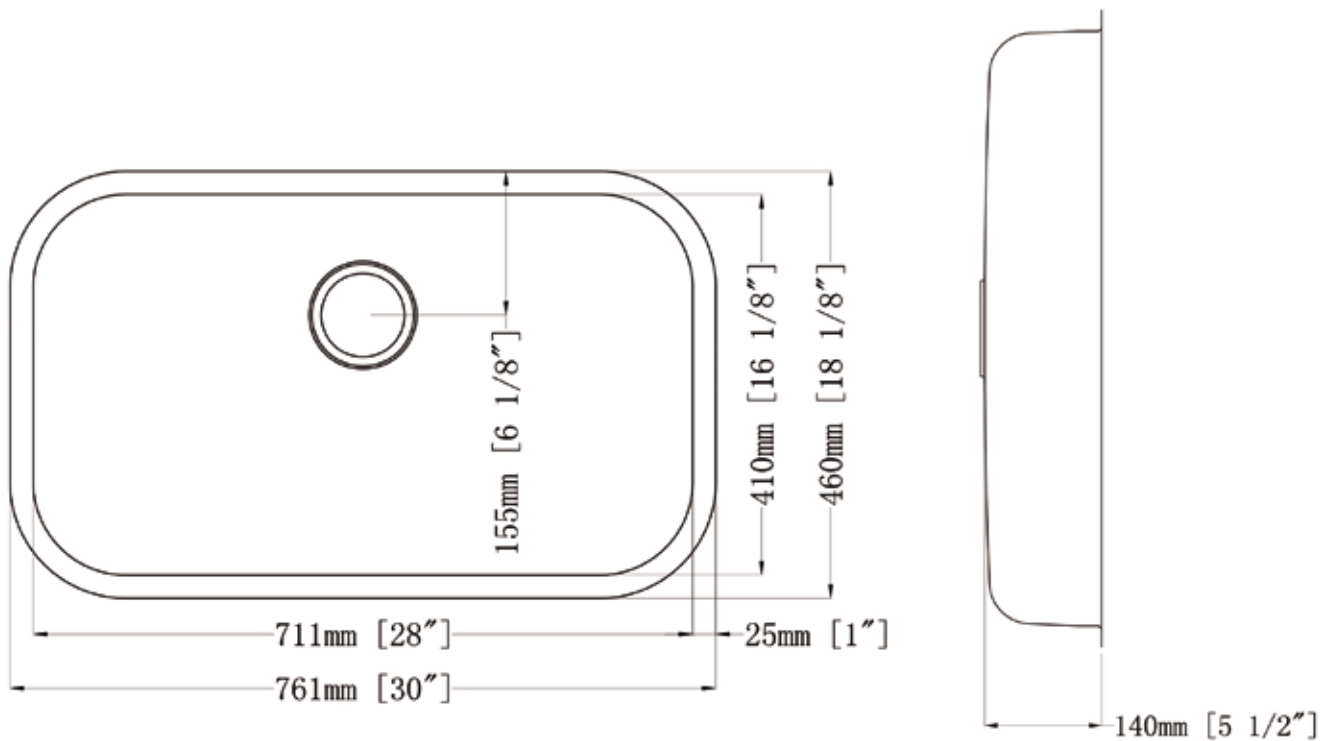
5202 ADA Kitchen Sink



FEATURES

- Premium 304 series stainless steel construction
- Undercoating and sound deadening pads to absorb noise and maintain water temperature
- 18/8 chrome-nickel content
- ADA compliant
- Optional grid and strainer accessories available

Model #	Material	Finish	Mount Options	Overflow	Drain Size	ADA Compliant	Guage
5202	Stainless Steel	Satin	Under-mount	No	3-1/2"	Yes	18G



BARCAB.COM

2020 East Grant Line Road | Tracy, CA 95304

(209) 836-2501 office

(209) 836-0847 fax

info@barcab.com

Barbosa Cabinets Inc. endeavors to provide you with accurate information and descriptions of our products. Due to variations in individual user's monitor settings, calibrations, and lighting sources, we cannot guarantee that your sink will be an exact match to the colors represented on this website or product data sheet. Barbosa Cabinets Inc. manufactures & installs our products with the highest quality of workmanship and materials. Barbosa Cabinets Inc. warrants its products to be free of all manufacturing defects upon receipt.



DOUBLE BOWL ADA KITCHEN SINKS

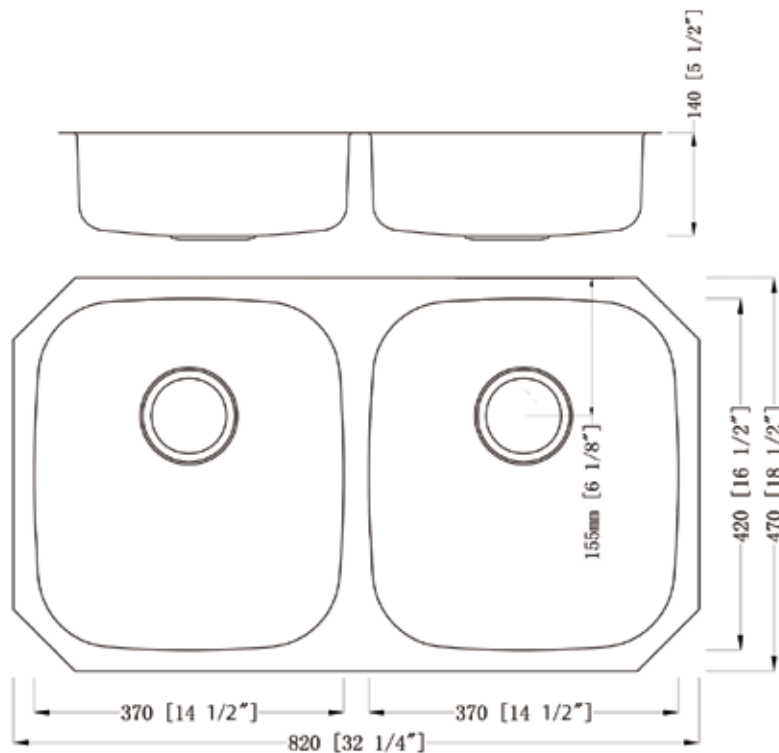
5201 ADA Kitchen Sink



FEATURES

- Premium 304 series stainless steel construction
- Undercoating and sound deadening pads to absorb noise and maintain water temperature
- 18/8 chrome-nickel content
- ADA compliant
- Optional grid and strainer accessories available

Model #	Material	Finish	Mount Options	Overflow	Drain Size	ADA Compliant	Guage
5201	Stainless Steel	Stain	Under-mount	No	3-1/2"	Yes	18G



BARCAB.COM

2020 East Grant Line Road | Tracy, CA 95304

(209) 836-2501 office
 (209) 836-0847 fax
info@barcab.com

Barbosa Cabinets Inc. endeavors to provide you with accurate information and descriptions of our products. Due to variations in individual user's monitor settings, calibrations, and lighting sources, we cannot guarantee that your sink will be an exact match to the colors represented on this website or product data sheet. Barbosa Cabinets Inc. manufactures & installs our products with the highest quality of workmanship and materials. Barbosa Cabinets Inc. warrants its products to be free of all manufacturing defects upon receipt.



VANITY SINKS ADA/STANDARD

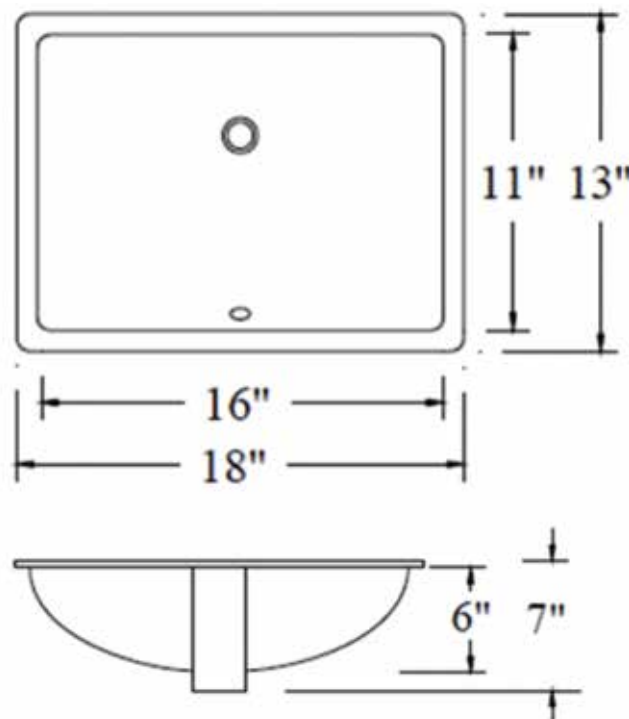
VBM8012 Lavatory Sink



FEATURES

- Non-porous vitreous china
- High gloss enamel coating resists spills, scratches and other imperfections
- ADA compliant
- 3 sloped sides, flat on the back
- Drain and faucet sets sold separately

Model #	Color	Material	Finish	Mount Options	Overflow	Drain Size	ADA Compliant
10VBM8012	White	Vitreous china	Enameled	Under-mount	Yes	1-1/2"	Yes
20VBM8012	Bisque	Vitreous china	Enameled	Under-mount	Yes	1-1/2"	Yes



BARCAB.COM

2020 East Grant Line Road | Tracy, CA 95304

(209) 836-2501 office
(209) 836-0847 fax
info@barcab.com

Barbosa Cabinets Inc. endeavors to provide you with accurate information and descriptions of our products. Due to variations in individual user's monitor settings, calibrations, and lighting sources, we cannot guarantee that your sink will be an exact match to the colors represented on this website or product data sheet. Barbosa Cabinets Inc. manufactures & installs our products with the highest quality of workmanship and materials. Barbosa Cabinets Inc. warrants its products to be free of all manufacturing defects upon receipt.

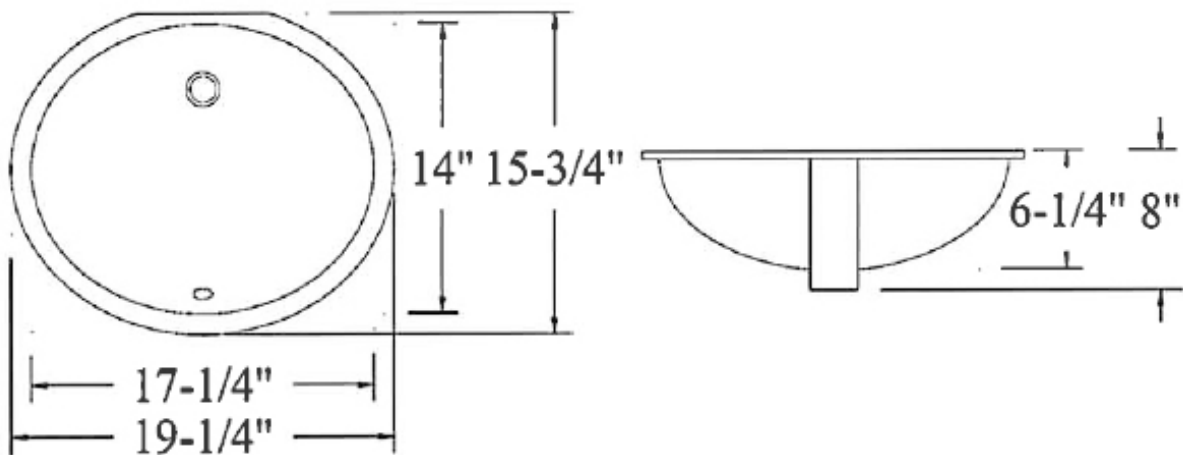
VBM8028 Vanity Undermount Sink



FEATURES

- Non-porous vitreous china
- High gloss enamel coating resists spills, scratches and other imperfections
- ADA compliant
- Drain and faucet sets sold separately

Model #	Color	Material	Finish	Mount Options	Overflow	Drain Size	ADA Compliant
10VBM8028	White	Vitreous China	Enameled	Under-mount	Yes	1-1/2"	Yes
20VBM8028	Bisque	Vitreous China	Enameled	Under-mount	Yes	1-1/2"	Yes



BARCAB.COM

2020 East Grant Line Road | Tracy, CA 95304

(209) 836-2501 office

(209) 836-0847 fax

info@barcab.com

Barbosa Cabinets Inc. endeavors to provide you with accurate information and descriptions of our products. Due to variations in individual user's monitor settings, calibrations, and lighting sources, we cannot guarantee that your sink will be an exact match to the colors represented on this website or product data sheet. Barbosa Cabinets Inc. manufactures & installs our products with the highest quality of workmanship and materials. Barbosa Cabinets Inc. warrants its products to be free of all manufacturing defects upon receipt.

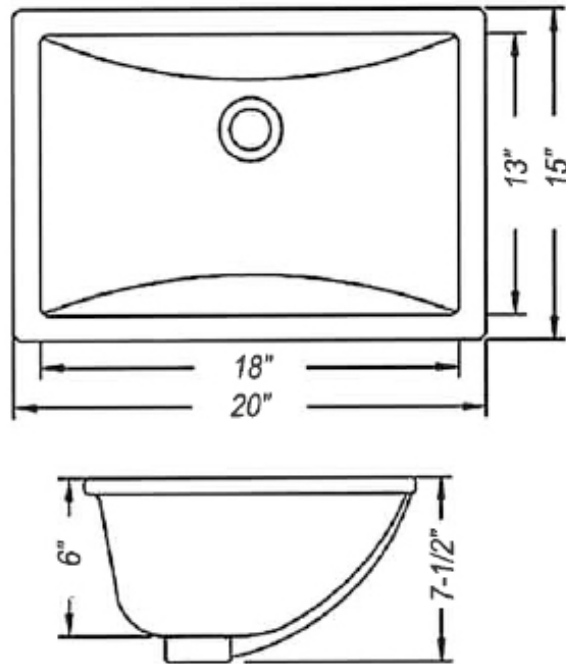
VBM8006 Vanity Undermount Sink



FEATURES

- Non-porous vitreous china
- High gloss enamel coating resists spills, scratches and other imperfections
- 3 sloped sides, flat on the back
- Drain and faucet sets sold separately

Model #	Color	Material	Finish	Mount Options	Overflow	Drain Size	ADA Compliant
10VBM8006	White	Vitreous China	Enameled	Under-mount	Yes	1-1/2"	Yes
20VBM8006	Bisque	Vitreous China	Enameled	Under-mount	Yes	1-1/2"	Yes



BARCAB.COM

2020 East Grant Line Road | Tracy, CA 95304

(209) 836-2501 office
 (209) 836-0847 fax
 info@barcab.com

Barbosa Cabinets Inc. endeavors to provide you with accurate information and descriptions of our products. Due to variations in individual user's monitor settings, calibrations, and lighting sources, we cannot guarantee that your sink will be an exact match to the colors represented on this website or product data sheet. Barbosa Cabinets Inc. manufactures & installs our products with the highest quality of workmanship and materials. Barbosa Cabinets Inc. warrants its products to be free of all manufacturing defects upon receipt.



UTILITY SINKS

M2408 Utility Sink

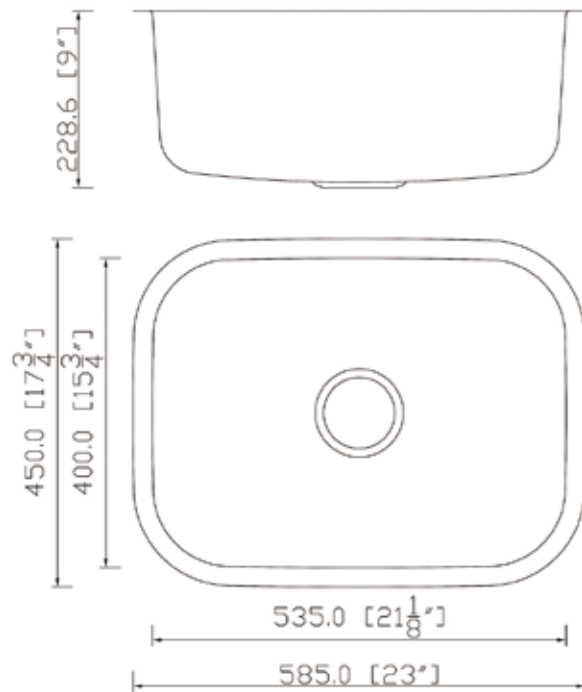


FEATURES

- Premium 304 series stainless steel construction
- Undercoating and sound deadening pads to absorb noise and maintain water temperature
- 18/8 chrome-nickel content
- Rounded corners
- Optional grid and strainer accessories available

Model #	Material	Finish	Mount Options	Overflow	Drain Size	ADA Compliant	Gauge
M2408	Stainless Steel	Brushed	Under-mount	No	3-1/2"	No	18G

M2408



BARCAB.COM

2020 East Grant Line Road | Tracy, CA 95304

(209) 836-2501 office


(209) 836-0847 fax


info@barcab.com

Barbosa Cabinets Inc. endeavors to provide you with accurate information and descriptions of our products. Due to variations in individual user's monitor settings, calibrations, and lighting sources, we cannot guarantee that your sink will be an exact match to the colors represented on this website or product data sheet. Barbosa Cabinets Inc. manufactures & installs our products with the highest quality of workmanship and materials. Barbosa Cabinets Inc. warrants its products to be free of all manufacturing defects upon receipt.



2020 East Grant Line Road
Tracy, CA 95304
(209) 836-2501 office
(209) 836-0847 fax
info@barcab.com

 /BarbosaCabinets

 /company/barbosa-cabinets-inc