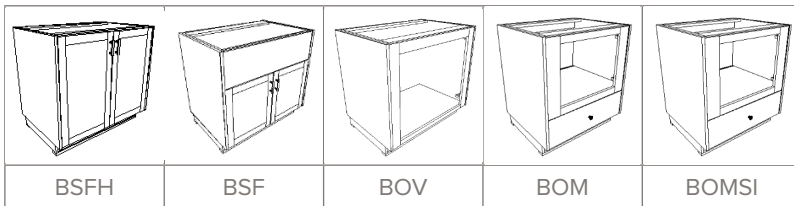
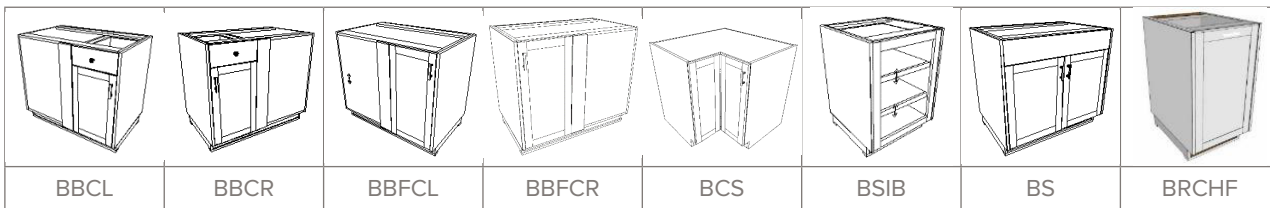
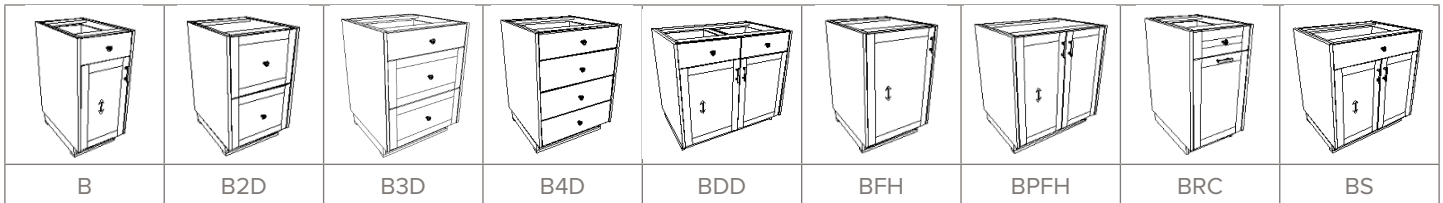


SKU = [SERIES] [WIDTH] [HINGE DIRECTION] - [LEFT END TYPE] [RIGHT END TYPE]

**EXAMPLES**  
B15L-UA or BDD33-WU

**EXAMPLES**  
U = Unfinished | W = Wall Filler  
A = Applied Slab Finished End | D = Applied Door Finished End

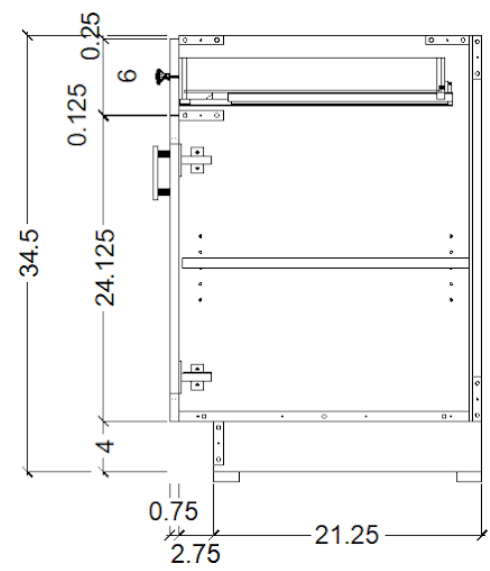
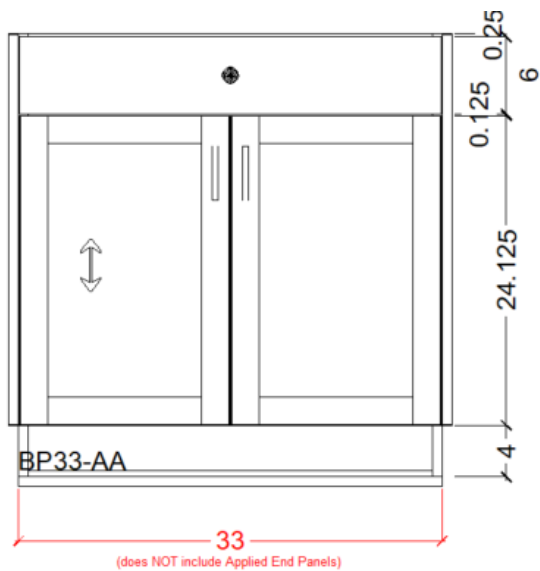
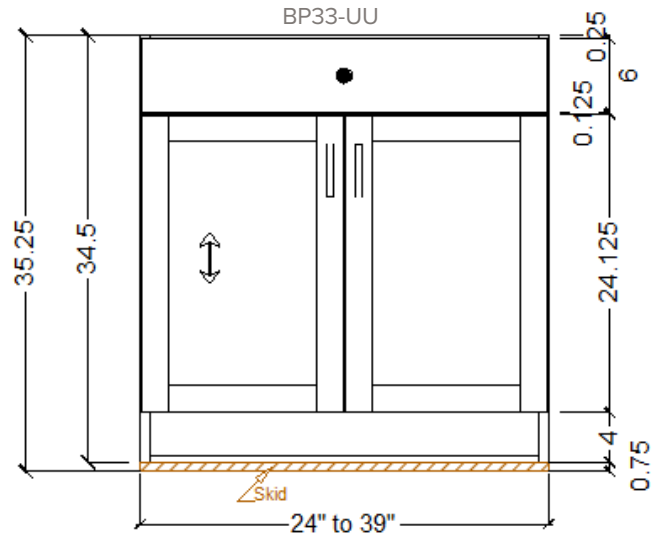


## Standard Features

- ¾" White Melamine Box Parts
- European Style free swing hinges
- 5/8" White Melamine Drawer Boxes
- Side Mount white epoxy coated drawer guides
- Slab Drawer Fronts
- Applied Finished End Panels
- Flush with Face of Doors
- Additional ½" Depth for Scribe to Back Wall
- Standard Applied End Panel stop at Toe Kick (i.e. 4" above Finished Floor)
- Optional Full Height Applied Ends with Toe Notch

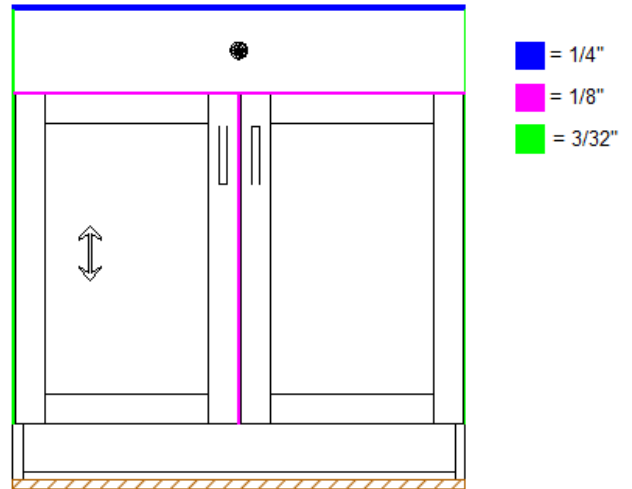
### Standard Dimensions

- Heights = 34 1/2" (35 1/4" including Skids)
- Vanities = 32" (32 3/4" including Skids)
- Widths = 7 1/2" to 43 1/2" (1 1/2" increments)
- Widths are determined by Cabinet Series
- Depth = 24"
- Vanities = 21"
- Talls = 25 1/2"
- Toe Kick Height = 4" (not including Skid)
- Toe Kick Recess = 2 3/4" (not including 1/4" Toe Skin)
- Top Drawer Front Height = 6"
- Door Height = 24 1/8" (Full Height Doors = 30 1/4")
- Applied Finished Ends are NOT included in overall Cabinet Width.



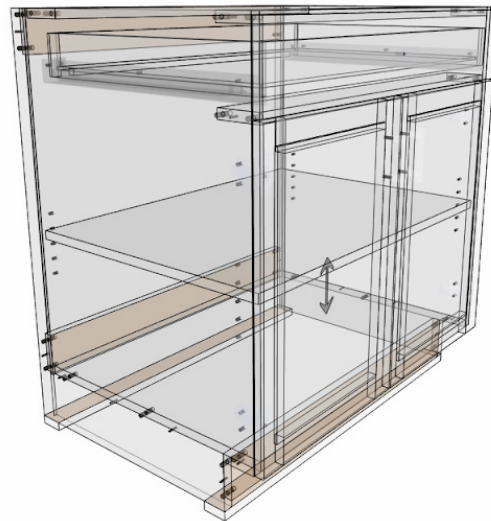
## Standard Reveals

- Left & Right Side Reveals =  $\frac{3}{32}$ "
- Top Reveal =  $\frac{1}{4}$ "
- Bottom Reveal = 0"
- Vertical Reveal =  $\frac{1}{8}$ "
- Horizontal Reveal =  $\frac{1}{8}$ "



## Standard Construction Details

1.  $\frac{3}{4}$ " Melamine Case Parts
2. 1mm Standard Edgebanding
3. Captured  $\frac{1}{4}$ " Back
4. Screw & Dowel Construction
5. 5 Hole cluster for each adjustable shelf (32mm spacing)
6. Hinge Boring distance from Top & Bottom of Door =  $3 \frac{1}{2}$ "
7. Drawer Box Standards
  - Heights =  $3 \frac{1}{2}$ ", 5", 7",  $9 \frac{1}{4}$ "
  - Depths = 9", 12", 15", 18", 21"



PAGE 3 of 4

## Standard Accessories

### 1. APNL – Standard Applied End

- Cabinet Height minus Toe Kick Height
- Flush with Face of Doors/Drawer Front
- Edgebanded on 4 sides
- Additional 1/2" of width for Panel to be scribed to back wall.

### 2. APNLTN – Notched Applied End

- Cabinet Height plus 1/2" (additional height added for Scribe to Floor)
- Panel is notched for Toe Kick – flush with face of Front Toe.
- Edgebanded on Front & Back Edges

### 3. AROLL – Roll Outs

- All Roll-Outs are currently Dovetail Construction and 15mm Baltic Birch Material.
- Height = 4" (will switch to 3 1/2" as Baltic Birch material is replaced)
- Depths = 21", 18", 15", 12"
- Roll-Out quantity = Adjustable Shelf quantity + 1
- Guides match Cabinet Selection
- 26mm Spacer Blocks used on Hinge side for spacing

